

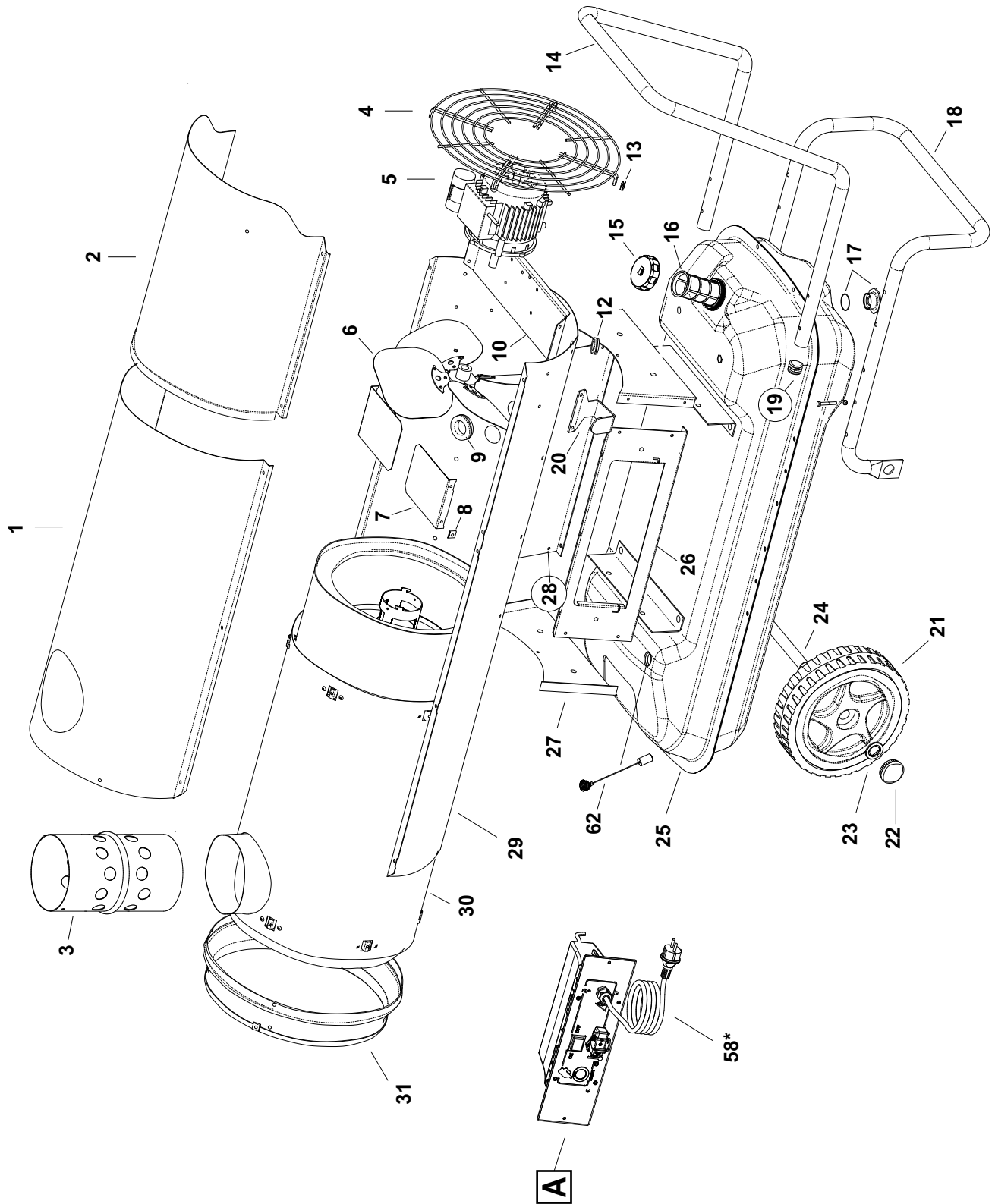
# BV 110 MODEL 2013

UNIT 1

ILLUSTRATED PARTS BREAKDOWN

From Serial Number: 09233000649

Edizione 2013  
Rev. A

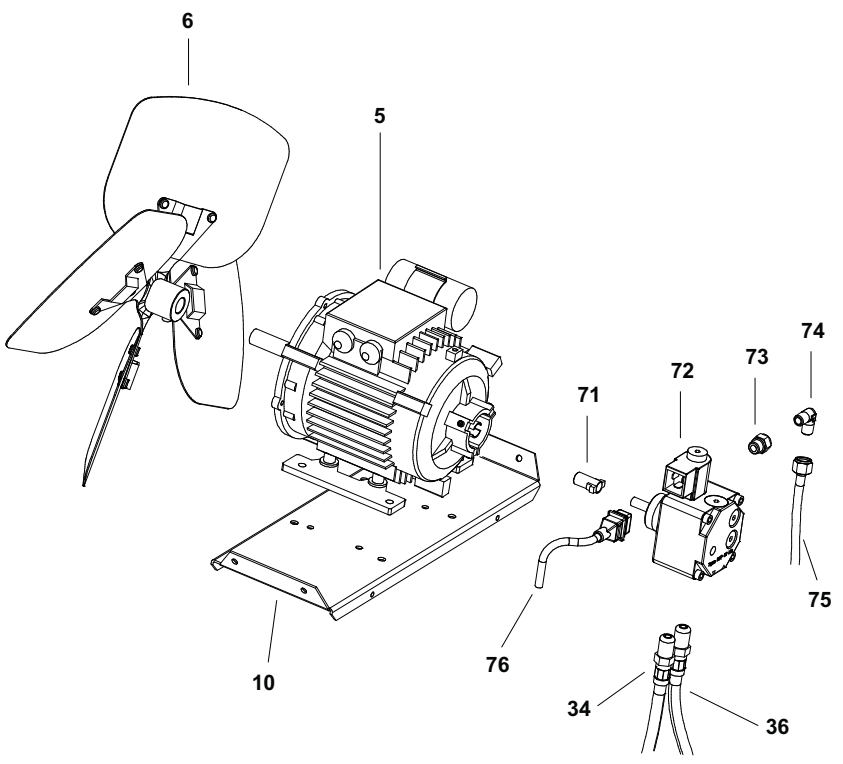
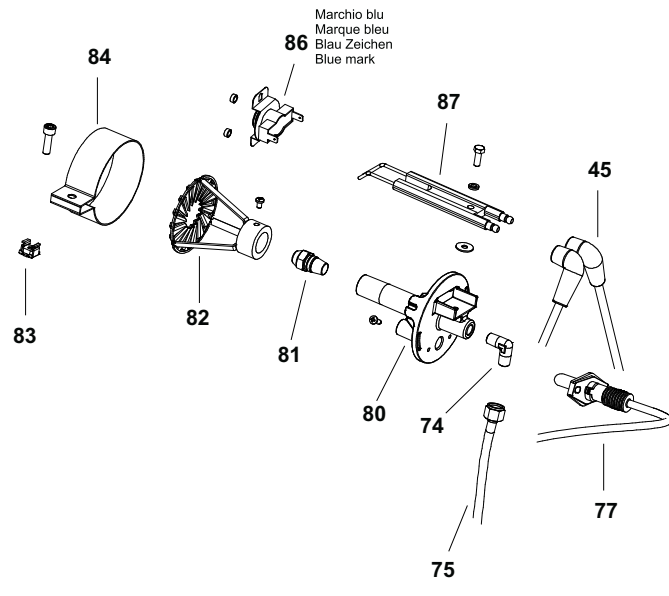
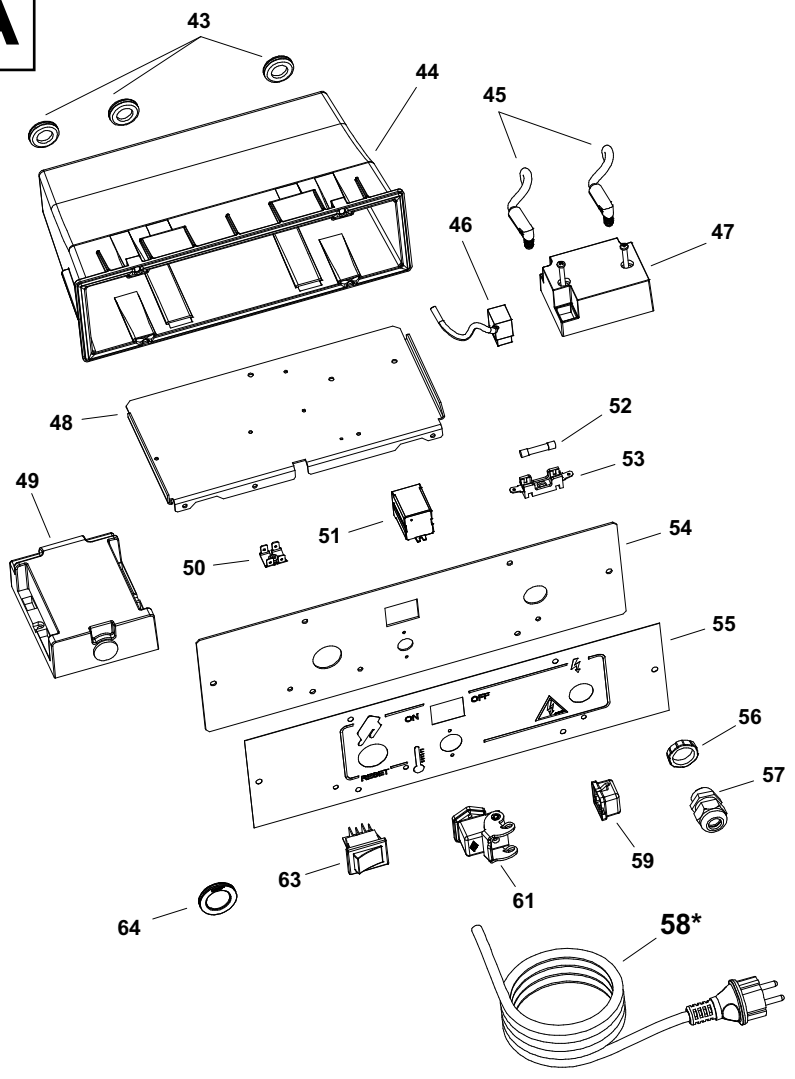
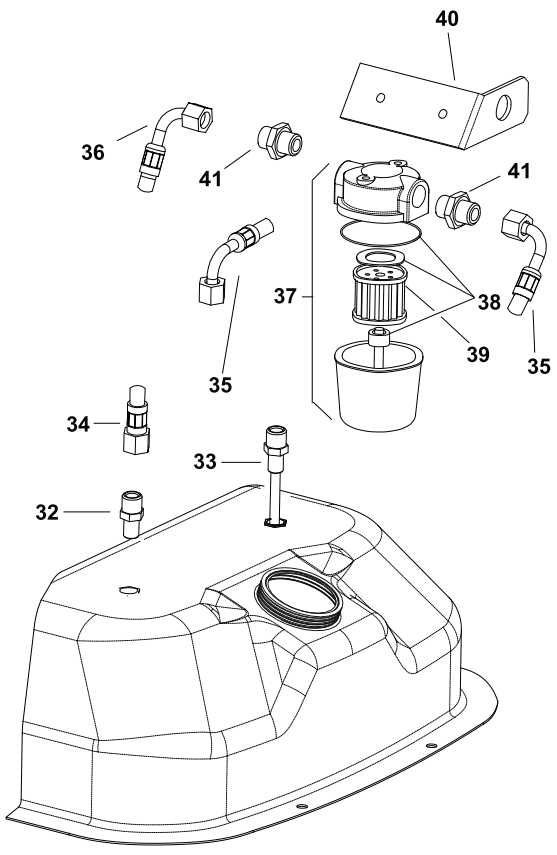


# BV 110 MODEL 2013

UNIT 2

ILLUSTRATED PARTS BREAKDOWN

**A**



Marchio blu  
 Marque bleu  
 Blau Zeichen  
 Blue mark

---

| <b>Pos.</b> | <b>Code NR</b> | <b>Description</b>              |
|-------------|----------------|---------------------------------|
| 1           | 4032.654       | UPPER BODY                      |
| 2           | 4032.548       | UPPER BODY MOBILE               |
| 3           | 4032.534       | CHIMNEY                         |
| 4           | 4032.557       | INLET GRILLE                    |
| 5           | 4032.594       | MOTOR                           |
| 6           | 4032.593       | FAN                             |
| 7           | 4032.554       | AIR FLAP                        |
| 8           | 4104.170       | CLIP NUT                        |
| 9           | 4111.056       | PROTECTION CLABLE               |
| 10          | 4032.555       | MOTOR FLANGE                    |
| 12          | 4160.646       | PROTECTION CLABLE               |
| 13          | 4111.241       | ELASTIC PLATE                   |
| 14          | 4032.568       | HANDLE FRAME                    |
| 15          | 4260.100       | TANK CAP                        |
| 16          | 4290.083       | TANK FILTER                     |
| 17          | 4100.632       | DRAIN PLUG                      |
| 18          | 4032.564       | FOOT FRAME                      |
| 19          | 4111.057       | PLUG                            |
| 20          | 4032.536       | POWER CORD HOOK                 |
| 21          | 4032.094       | WHEEL Ø 250                     |
| 22          | 4111.480       | WHEEL PLUG                      |
| 23          | 4111.072       | WHEEL HOLDER Ø 20               |
| 24          | 4032.566       | AXLE                            |
| 25          | 4033.242       | FUEL TANK                       |
| 26          | 4032.558       | ELECTR. COMPONENTS DRAWER PANEL |
| 27          | 4033.095       | BASE                            |
| 28          | 4032.560       | SIDE PANEL                      |
| 29          | 4111.625       | LOWER BODY                      |
| 30          | 4033.183       | COMBUSTION CHAMBER              |
| 31          | 4031.659       | OUTLET CONE                     |
| 32          | 4031.068       | CONN. STRAIGHT 1/4"             |
| 33          | 4031.067       | PIPE CONNECTION 1/4"            |
| 34          | 4031.062       | FUEL PIPE PUMP-TANK             |
| 35          | 4031.063       | FUEL PIPE TANK-FILTER           |
| 36          | 4031.061       | FUEL PIPE FILTER-PUMP           |
| 37          | 4031.070       | FILTER WITH CARTIDGE 3/8"       |
| 38          | 4111.116       | OR KIT FILTER                   |
| 39          | 4031.015       | FILTER CARTIDGE                 |
| 40          | 4032.437       | FILTER SUPPORT                  |

---

| <b>Pos.</b> | <b>Code NR</b> | <b>Description</b>        |
|-------------|----------------|---------------------------|
| 41          | 4031.064       | DOUBLE SCREW              |
| 43          | 4162.500       | PROTECTION CABLE          |
| 44          | 4033.257       | PLASTIX BOX               |
| 45          | 4110.490       | HT CABLE                  |
| 46          | 4033.256       | TRANSFORMER POWER CORD    |
| 47          | 4031.541       | TRANSFORMER               |
| 48          | 4033.249       | CONTROL BASE              |
| 49          | 4033.250       | CONTROL BOX               |
| 50          | 4160.639       | POP RIVET 4 WAY           |
| 51          | 4111.032       | RELAY                     |
| 52          | 4111.040       | FUSE                      |
| 53          | 4033.301       | FUSE HOLDER               |
| 54          | 4033.248       | FRONTAL CONTROLS PANEL    |
| 55          | 4033.254       | PANEL LABEL               |
| 56          | 4100.656       | LOCKNUT                   |
| 57          | 4150.528       | STRAIN RELIEF BUSHING     |
| 58          | 4033.253       | POWER CORD SCHUKO         |
| 58-A        | 4033.252       | POWER CORD NEW ZEALAND    |
| 58-B        | 4033.302       | POWER CORD UK             |
| 59          | 4162.467       | CAP FOR THERMOSTAT SOCKET |
| 61          | 4111.119       | THERMOSTAT SOCKET         |
| 62          | 4260.105       | FUEL GAUGE                |
| 63          | 4165.204       | ROCKER SWITCH             |
| 64          | 4033.251       | BOARD BUTTON CAP          |
| 71          | 4111.081       | COUPLING                  |
| 72          | 4111.042       | PUMP                      |
| 73          | 4161.501       | CONN. STRAIGHT 1/8"       |
| 74          | 4033.198       | ELBOW 1/8"                |
| 75          | 4033.186       | OIL SUPPLY PIPE           |
| 76          | 4033.087       | PUMP POWER CORD           |
| 77          | 4033.246       | PHOTOCELL                 |
| 80          | 4033.034       | BURNER FLANGE             |
| 81          | 4031.020       | NOZZLE                    |
| 82          | 4033.071       | TURBO DISC                |
| 83          | 4032.454       | M6 NUT                    |
| 84          | 4032.545       | AIR REGULATION FLAP       |
| 86          | 4031.047       | LIMIT THERMOSTAT          |
| 87          | 4111.826       | ELECTRODE                 |